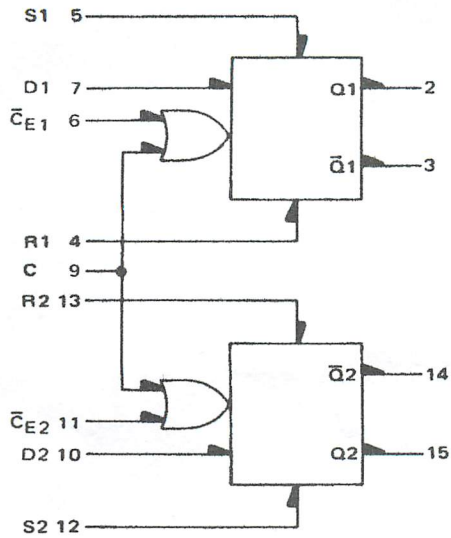


MCC10131/MCC10531
Dual D Flip-Flop

6



VCC1 = Pin 1
VCC2 = Pin 16
VEE = Pin 8

58 x 70 x 15
(9NB)

